

Mounting Instructions

Flat Screen Stand
062.2200B

1

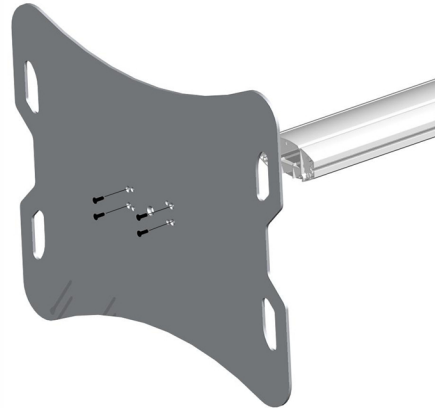
Positioning column



Lay down the column carefully on a soft surface. Be sure the cable duct points down.

2

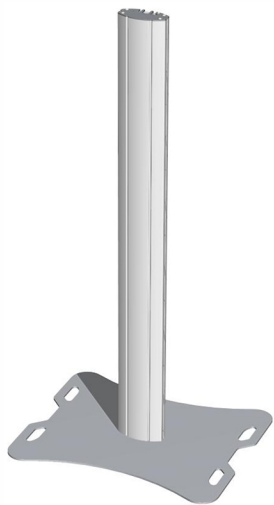
Mounting foot plate



Mount with at least two persons the footplate with 4 bolts (M8x40) to the column. One person is holding the column and the other person is holding and mounting the foot plate. Use a threadlocking fluid to secure the bolts.

3

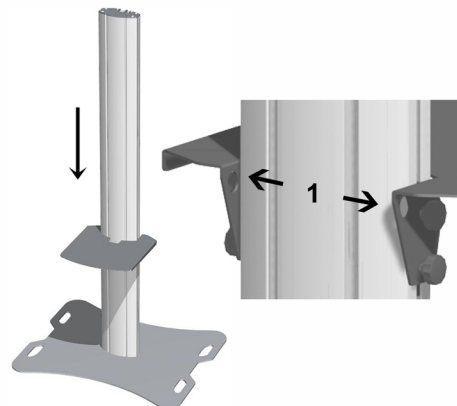
Put stand straight up



Place the stand straight up at the right position.

4

Mounting stand platform (optional)



Slide the stand platform from the top downwards by using the T-ducts on both sides of the column. Tight the knobs on the right and left hand site of the platform to fix on a specific height.

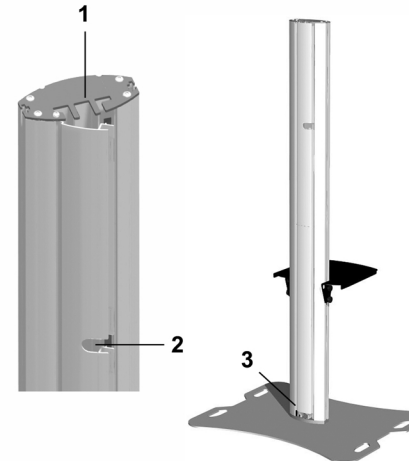
(1) a laptop lock can be attached to the back of the platform

Mounting Instructions

Flat Screen Stand
062.2200B

5

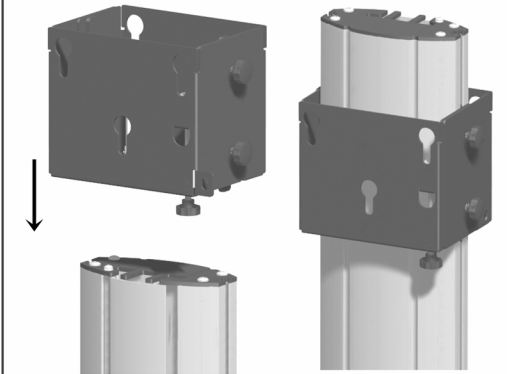
Connect cables



The cables can be guided through the cable duct(s). The cables can come out of the ducts at the top of the column (1) or out of the cover gap (2). The other side of the cables can come out of the bottom end of the column (3). All cable ducts have to be closed.

6

Mounting double head of stand

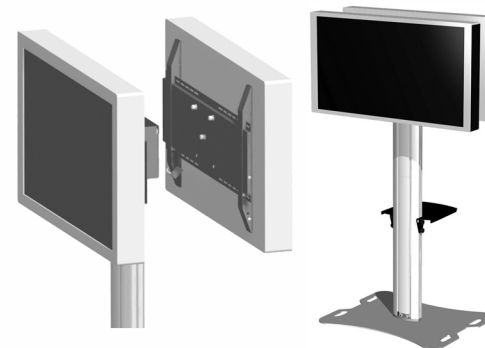


Slide the double head of the stand from the top downwards by using the T-ducts on both sides of the column. Tight the knobs on the right and left-hand side of the head to fix on a specific height.

It doesn't matter which side of the head is at the front.

7

Mounting flat screens

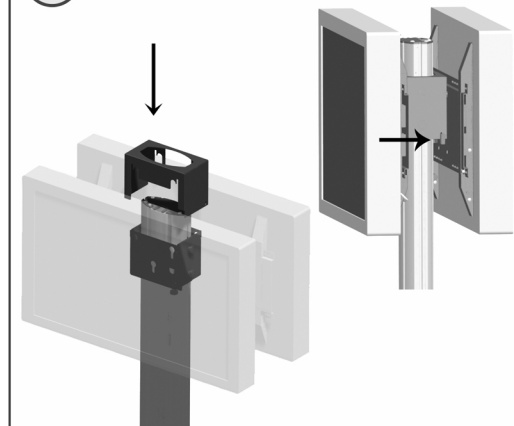


a bracket with three coupling boxes has to be mounted at the back of the flat screens (see specific mounting instructions flat screen brackets)

Link the screens to the head of the stand by using the three points coupling system. Turn the knobs on the bottom of the head to level the flat screens. Change the positions of the coupling boxes on the bracket for a "portrait" set-up of the flat screen.

8

Securing double head of stand



Slide the securing profile over the double head of the stand (when cables come out of the top of the column the cables must be put firstly through the securing profile). The double head of the stand and the securing profile can be locked at the side with an optional anti-theft lock.