

Outdoor monitor housing



092.1600.4 Flat panel indoor housing for 66-75 inch monitor

To protect your monitor SmartMetals supplies a complete line of monitor housings for in- as well as outdoor use. The housings are standard equipped with a hinging front and hardened safety glass in an extra clear quality. The housings for outdoor use are fitted with active ventilation, thermostatically controlled heating elements and a dust filter. A wall mount and VESA mount for the monitor are standard supplied. The standard colour of the housing is white with a black frame around the monitor; white for the monitor to protect from external heat, black for the frame for contrast. Other colours are available on request. The enclosures are available for portrait as well as landscape position and the outdoor models are produced according to the IPX4 norm.

The 092.1500 & 092.1600 series are suitable for monitors till 700cd and a max. depth of 85 mm, the 092.1700 are suited for the high brightness monitors up to 2500cd and a max. depth of 140 mm. Due to the several variations in high brightness, these 092.1700 housings are exclusively custom-built. Describe your brand and model of monitor in the description of your quote enquiry.

Inquire about availability prior to your order.

Outdoor monitor housing

Features

Weight: 98.00 kg

Colour: White

Screen position: Landscape, Portrait

Inch range: 66 - 75 inch

Mobile / fixed: Fixed

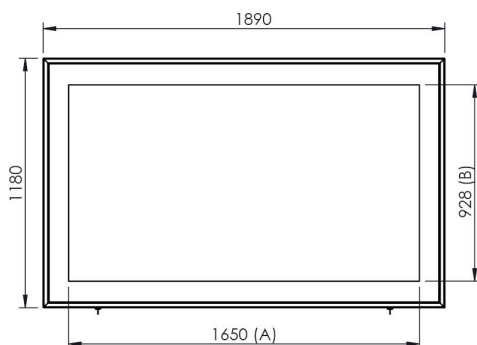
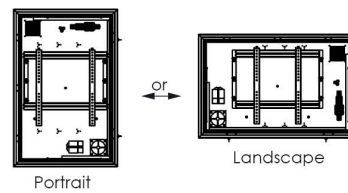
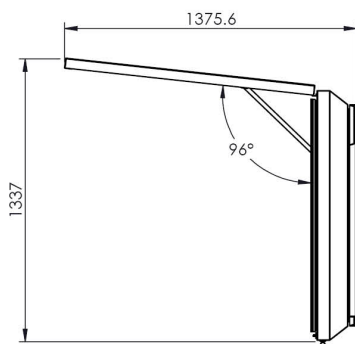
Bracket/interface: Included

Type bracket/interface: VESA

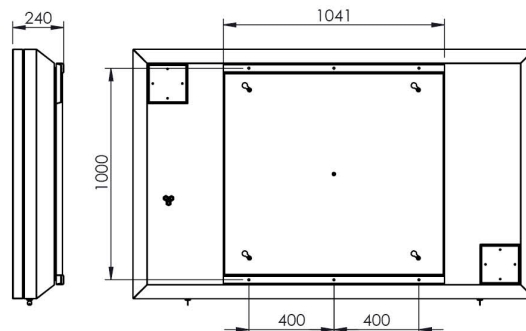
Range bracket/interface: Max. VESA 600-400 / 400-600

Other information: Other colours available on request

Suitable for max. monitor dimensions 1678 x 1018 x 85 mm



The standard dimensions A & B can be replaced by custom values.



Outdoorhousing for 66" to 75" monitors

- Max. monitor dimensions: 1678 x 1018 x 85 mm
- VESA 400x400 > Max VESA center offset 113 mm
- VESA 600x600 > Max VESA center offset 13 mm
- Active cooling and heating